

# Fire protection boards

Ventilation | Smoke extraction | Installation



## THERMAX® Constructions (to ETA 11/0083)

- Ventilation duct EI60, EI90, EI120
- Smoke extraction duct EI60, EI90, EI120
- Ventilation duct with internal sheet steel duct EI90
- Installation duct and shaft EI60, EI90, EI120

THERMAX® – Quality. Redefined! .....	3
THERMAX® – ETA-11/0083 SINTEF .....	4
Technical Data .....	6
Accessories .....	6
Contact info .....	7/8

# Quality. Redefined!

## Fire protection constructions with THERMAX®.

Preventive fire protection in buildings and on ships should protect people and property, save lives, keep fire at bay and facilitate rescue measures.

The latest fire protection regulations require that construction materials not only resist fire but are also toxicologically safe. With THERMAX® fire protection boards you make no compromises: For example, no fine dusts are produced during processing or machining of the boards. THERMAX® fire protection boards retain their high stability solely through inorganic binders and high press pressure. The material can nonetheless be easily cut to size and worked using conventional wood-working tools. Material residues produced are 100% recyclable.

THERMAX® fulfils the high international requirements of the official safety and fire protection regulations in every respect. THERMAX® has been tested successfully and approved by national authorities and international classification bodies.

- THERMAX® fire protection boards are tested and certified to current European regulations.
- THERMAX® fire protection boards are resistant to fungi and bacteria in accordance with VDI 6022, and is suitable for use in air conditioning systems (RLT systems).

Now, more than ever before, professional quality fire protection requires sound know-how in all areas of use. With more than 30 years of experience, expertise and service, with THERMAX® we are in the vanguard of leading fire protection manufacturers and set the long-term agenda when it comes to high-quality fire protection products.

Our reference projects document the high quality you can expect for your objectives. They are also an expression of the trust shown in our performance and a confirmation of our professional commitment – both personally and technically.

Building, building services, industrial and heat technology, ship and off-shore interior finishes and decorative fire protection – THERMAX® fire protection products offer the optimum solution for your projects. Our outstanding products and the competent advice provided by our employees are the foundation on which to build good partnerships for the good and benefit of your customers.



Tested quality, even as to critical substances and emissions.

*The information and data listed in the following are empirical values from the laboratory and practice and are not an assurance of properties. This information represents the current experience of MINERALKA d.o.o. and its customers. It is intended to provide advice to the best of our knowledge but no claim of completeness is made. Subject to change without notice due to new findings. Guarantee claims, of any type*

*whatsoever, cannot be derived from this information. We will be pleased to advise you to find the best solution for your working and application tasks. Our technical advice is provided to the best of our knowledge and without liability; it is provided to assist the users and processors of our fire protection boards, but all their actions are taken on their own responsibility.*

# THERMAX® SL fire protection boards – ETA-11/0083 SINTEF (10/2015)

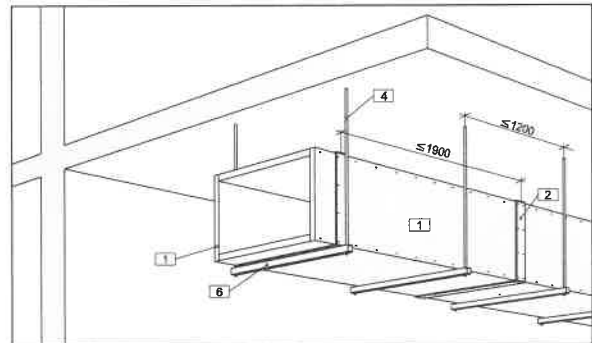
## THERMAX® SL: Ventilation duct, self-supporting

Designation	Classification	Material thickness	Duct dimensions	Operating pressure
L2060ETA	EI 60 (ve ho o → i) S	1 x 35 mm	≤ 1250 x 1000 mm (WxH) cross-section	± 500 Pa
L2090ETA	EI 90 (ve ho o → i) S	1 x 45 mm	≤ 1250 x 1000 mm (WxH) cross-section	± 500 Pa
L2120ETA	EI 120 (ve ho o → i) S	1 x 55 mm	≤ 1250 x 1000 mm (WxH) cross-section	± 500 Pa

(Download construction data sheets: [www.thermax.at](http://www.thermax.at))

Single layer, 4-sided ventilation duct with fire resistance rating of 60, 90 or 120 minutes. Large duct dimensions are possible.

Tested acc. to EN 1366-1



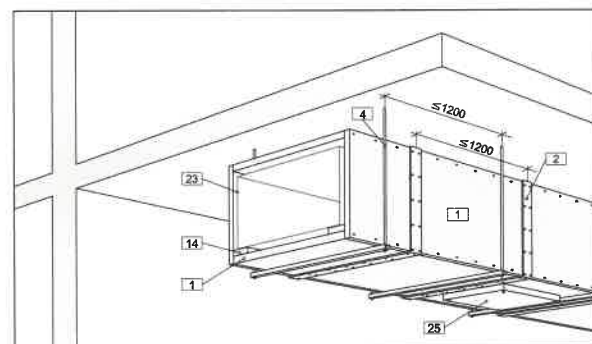
## THERMAX® SL: Ventilation duct with internal sheet steel duct

Designation	Classification	Material thickness	Duct dimensions	Operating pressure
L1090ETA	EI 90 (ve ho o → i) S	1 x 45 mm	≤ 1250 x 1000 mm (WxH) of the sheet steel duct, cross-section	± 500 Pa

(Download construction data sheets: [www.thermax.at](http://www.thermax.at))

Single layer, 4-sided ventilation duct with internal sheet steel duct carrying air, for a fire resistance rating of 90 minutes.

Tested acc. to EN 1366-1





Non-combustible, A1  
 Low weight  
 Easy to use  
 THERMAX® is recognised as a safe and ecologically high-quality material.  
 No fine dusts are produced during processing the boards.  
 There is no detectable microbial growth, suitable for use in RLT systems in accordance with VDI 6022.  
 Board residues and off-cuts are recyclable

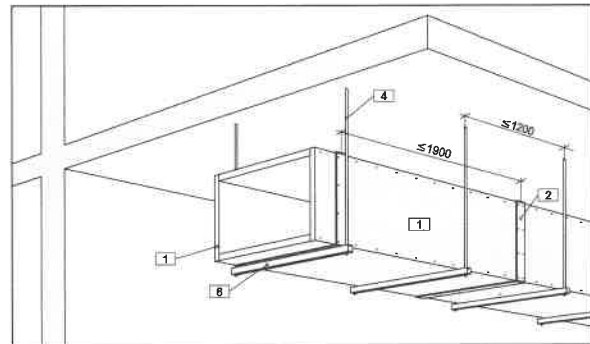
## THERMAX® SL: Smoke extraction duct

Designation	Classification	Material thickness	Duct dimensions	Operating pressure
L3060ETA	EI 60 (ve-ho) 500 multi	1 x 35 mm	≤ 1250 x 1000 mm (BxH) cross-section	± 500 Pa
L3090ETA	EI 90 (ve-ho) S 500 multi	1 x 45 mm	≤ 1250 x 1000 mm (BxH) cross-section	± 500 Pa
L3120ETA	EI 120 (ve-ho) S 1500 multi	1 x 55 mm	≤ 1250 x 1000 mm (BxH) cross-section	-1500/+500 Pa

(Download construction data sheets: [www.thermax.at](http://www.thermax.at))

Single layer, 4-sided smoke extraction duct with a fire resistance rating of 60, 90 or 120 minutes. Large duct dimensions are possible.

Tested acc. to EN 1366-8



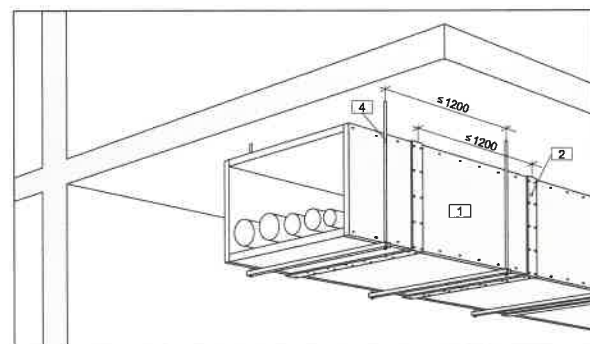
## THERMAX® SL: Installation duct and shaft

Designation	Classification	Material thickness	Duct dimensions	-
I1060ETA	EI 60 (ve ho o → i)	1 x 35 mm	200 x 200 mm – 1250 x 1000 mm	-
I1090ETA	EI 90 (ve ho o → i)	1 x 45 mm	200 x 200 mm – 1250 x 1000 mm	-
I1120ETA	EI 120 (ve ho o → i)	1 x 55 mm	200 x 200 mm – 1250 x 1000 mm	-

(Download construction data sheets: [www.thermax.at](http://www.thermax.at))

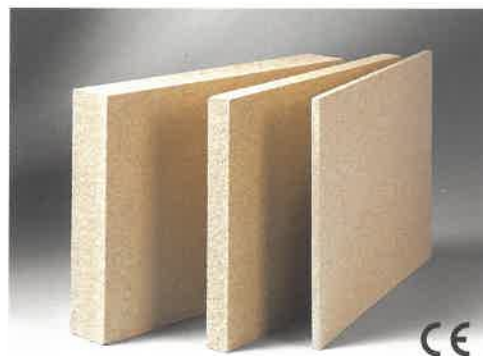
Single layer, 4-sided installation duct and shaft with a fire resistance rating of 60, 90 or 120 minutes. For installation ducts and shafts which contain all the usual installations.

Tested acc. to EN 1366-5



# THERMAX® SL

## Technical Data



THERMAX® SL	
Classification (EN 13501-1)	A1
Standard format (mm) or on request	1900 x 1200, 2500 x 1200
Density (EN 12467 - 7.3.1)	520 kg/m <sup>3</sup> (± 15%)
Thickness (mm) or on request	35, 45, 50, 55
Thickness tolerance (EN 12467 - 7.2.3.2)	± 0.5 mm
Format tolerance (EN 12467 - 7.2.3.1)	± 2.0 mm
Bending strength (EN 12467 - 7.3.1)	1.3 N/mm <sup>2</sup>
Compressive strength (internal)	4 N/mm <sup>2</sup>
Screw pull-out force, end face (EN 320)	200 N
Screw pull-out force, surface (EN 320)	200 N
Residual moisture (ex works) (EN 322)	2 – 6 %

\* This data is always dependent on the respective density and represents the minimum or average values of production. A safety data sheet and information for use or working advice are available on request. We reserve to add to or change the technical details without notice. If certain properties are essential for certain applications it is best to contact us. We extend our construction portfolio continuously. For further information visit us at [www.thermax.at](http://www.thermax.at)

### THERMAX® fire protection boards

Material number Format 1900 x 1200	Material number Format 2500 x 1200	Board thickness	Weight per unit area (approx.)	Boards/pallet
217;576	217;571	35 mm	18.2 kg/m <sup>2</sup>	26
271;303	228;333	45 mm	23.4 kg/m <sup>2</sup>	20
271;601	270;693	50 mm	26.0 kg/m <sup>2</sup>	18
272;346	271;433	55 mm	28.6 kg/m <sup>2</sup>	16

### THERMAX® cover strips

Material number	Dimensions	Packing units/pallet
300004	1220 x 100 x 10 mm	407 pcs./pallet
300034	1220 x 100 x 10 mm	200 pcs./pallet

### THERMAX® fire protection glue

Material number	Packing unit	Packing units/pallet
5003 (1 kg tube)	18 tubes/bucket	24 buckets/pallet
5046 (15 kg bucket)	1 bucket	36 buckets/pallet

### THERMAX® fire protection mortar M10

Material number	Packing unit	Packing units/pallet
5002	25 kg/bag	48 bags/pallet

# THERMAX® – The fire protection system with first-class advantages:

**1****Technical properties**

- Clean, flat surfaces
- Low thickness tolerances
- Accurate edges
- Easy to work using conventional woodworking tools and machines
- Long tool lives

**2****Economic efficiency**

- Board formats with minimum off-cuts
- Different thicknesses on request
- Format flexibility
- Easy installation logistics
- Natural product – board residues and off-cuts are recyclable

**3****Service**

- Fast delivery times
- Cut-to-size on request
- Individual consultation to find the best solution to your application and work tasks

**You require further information?**

On our website [www.thermax.at](http://www.thermax.at) you will find our detailed construction sheets and other data sheets and all you need to know about matching accessories. If you have any other questions about our products, simply call us – we will be pleased to help you.

**+43 7472 68 56 60 (AT)**

or

**+49 201 87 99 130 (D)**

## Use our service:

THERMAX<sup>®</sup> manufacturing plant:  
MINERALKA d.o.o., NL Austria  
Nordlandstraße 1, A-3300 Amstetten  
[www.thermax.at](http://www.thermax.at)

Contact for Austria:  
Tel +43 7472 685660  
[info@thermax.at](mailto:info@thermax.at)

Contact for Germany:  
Tel +49 201 8799130  
[info@thermax-brandschutz.de](mailto:info@thermax-brandschutz.de)